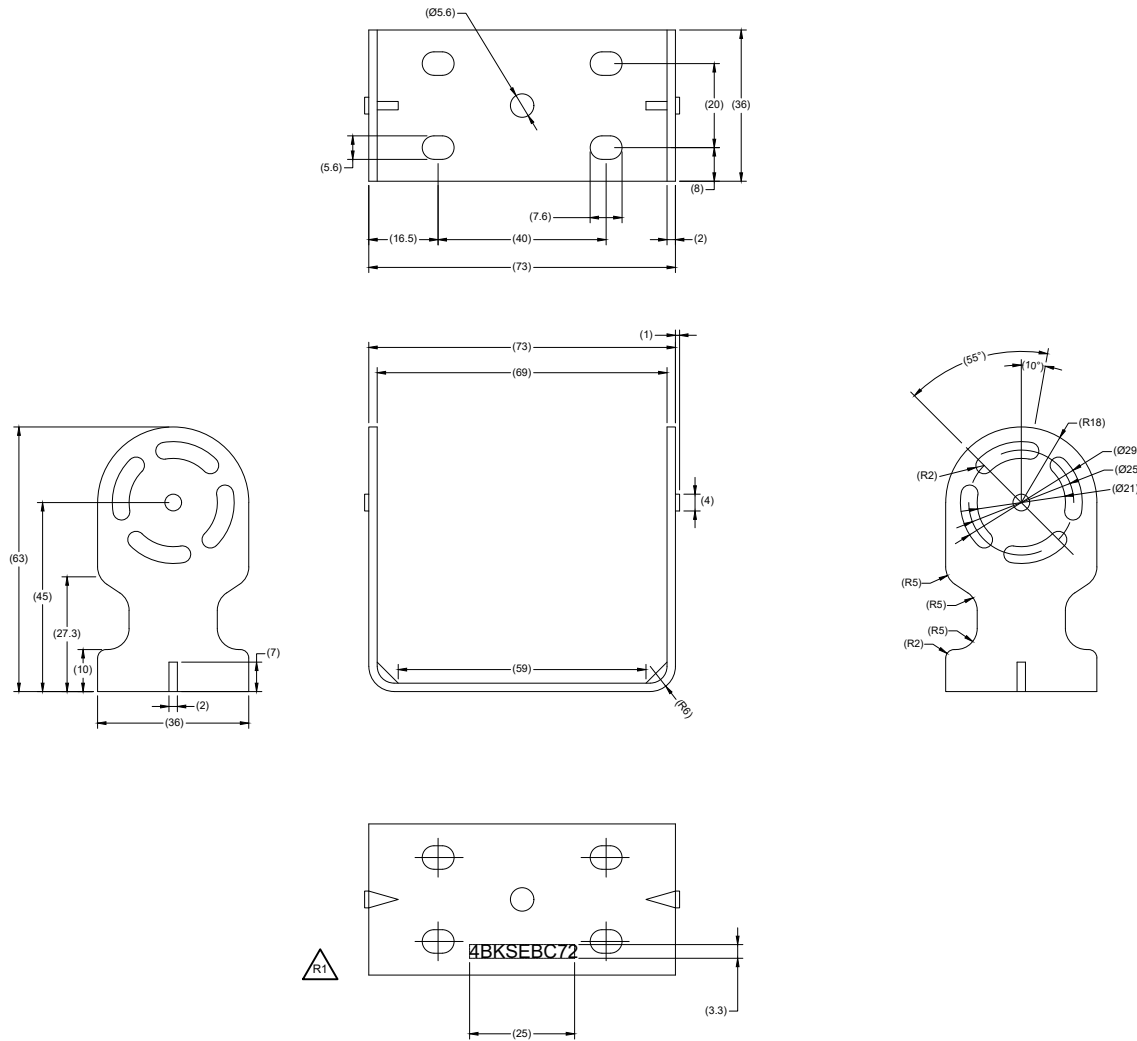
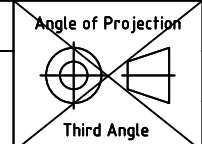


Revision Notes.				
R1 - UPDATE ITEM NUMBER STAMP ON THE BRACKET AS PER CR-A1144. UPDATE NEW TEMPLATE.				
APA: TROY	Drawn:L.CHEUNG	Checked:S.LAWAL	Approved:A.KEBEDE	Date: 07/05/2025



- NOTES:**
1. REFER TO MASTER BOM FOR PACKAGING DETAILS WHEN SUPPLIED AS A SPARE PART.
  2. FINISH: BLACK
  3. MATERIAL: STAINLESS STEEL 2.0T

**PROPRIETARY NOTICE**  
 THIS DESIGN AND TECHNICAL INFORMATION APPEARING ON THIS DRAWING IS THE PROPERTY OF BRIGADE ELECTRONICS, AND IS DISCLOSED IN CONFIDENCE. IT IS NOT TO BE COPIED, REPRODUCED, REVEALED TO OR EXPROPRIATED BY OTHERS, EITHER IN WHOLE OR IN PART WITHOUT THE EXPRESS WRITTEN CONSENT OF BRIGADE ELECTRONICS.



Sheet 1 of 1	Assembly Pl Approval T. CHOI	Approved by B. JOHN	Checked by R. BATES	Drawn by S. LAVER
Customer Approval N/A	Units mm		Scale N/A	Released 04/05/18
Status RELEASED		Assembly Ref -		
Part No 3244A		BE-89XC.BE-XOXC-BKT		
		BE-003782-01-18		